

- Continuous duty operation
- Advanced programming capability
- Easy installation - wall mount
- Tamper proof - lockable enclosure
- Weather and corrosion resistant
- 1/2 HP - 190 GPH pump



The Ecolo AMC misting system is ideal for use in a broad range of industrial and environmental misting applications. The advanced programming capabilities, combined with continuous duty operation, makes the AMC an industry leader in misting applications requiring up to 150 nozzles.

The AMC misting system, along with Ecolo AirSolution, is ideal for neutralizing odors in:

- Transfer Stations
- Compost Plants
- Large Industrial Projects
- Processing Plants
- Landfill Sites
- Wastewater
- Exhaust Stacks
- Agriculture

All components are securely enclosed in a NEMA rated fan cooled cabinet and features an advanced digital controller for quality and industry-leading programmability.

Features of the AMC Misting System

- Integrated controller design
- Surge protection
- Advanced programming capabilities - event timer, repeat cycle, everyday, individual day, weekday/weekend
- Digital display with touch pad programming and indicator lights for accessories - rain, wind, tank level, auto run
- Adaptive microprocessor with real time clock
- 1/2 HP motor & 190 GPH pump
- Internal battery back up
- Password protection
- Data collection capabilities: runtime, pump hours, daily peak temperature, daily peak current
- Operates up to 150 nozzles
- Optimal operating pressure-180 psi

Optional accessories for the AMC:



Rain Sensor

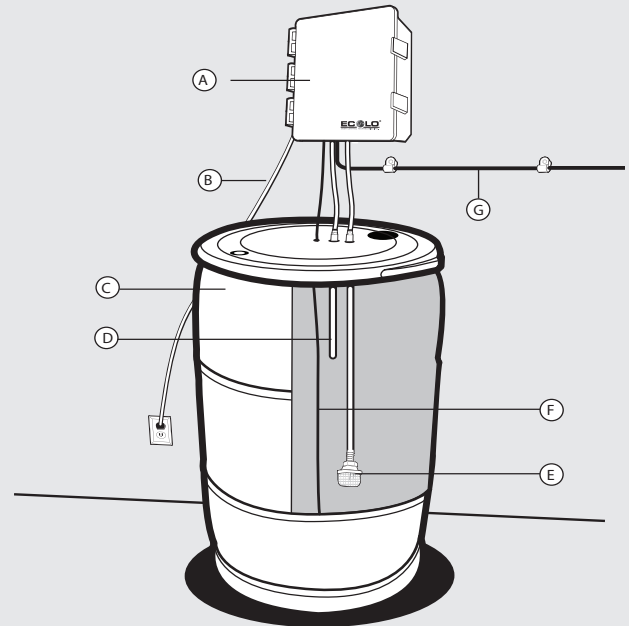


Wind Sensor



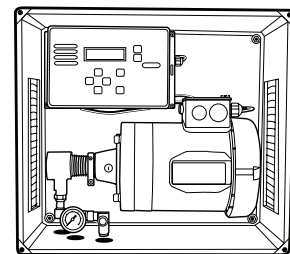
3-Way Remote

Standard Install Configuration



PART	DESCRIPTION
A	AMC Controller
B	Power cord
C	55 Gallon drum
D	Return line
E	Strainer
F	Tank level sensor
G	Discharge line

Integrated Controller Design



DUTY	HP	HZ	WEIGHT	V
Cont	1/2	60	41 LBS	110/220

DIMENSIONS: 18" X 16" X 10"

Ecolo Odor Control Technologies Inc.

59 Penn Drive,
 Toronto, Ontario M9L 2A6
 Tel: (416) 740-3900
 Toll Free: (800) 607-6355
 Fax: (416) 740-3800



info@ecolo.com | www.ecolo.com

10770 Moss Ridge Road,
 Houston, Texas 77043
 Tel: (713) 357-6295
 Toll Free: 1 (800) 667-6355
 Fax: (713) 490-1487