



BIOSTREME™ 111F FOAMING MICRONUTRIENT CONCENTRATE provides a convenient solution to manage surfaces where noxious odors are generated.

BioStreme 111F is applied with a foaming applicator to visibly coat problem surfaces. The penetrating foam soaks into trash room floors, bins and other problem surfaces, allowing the micronutrients to direct the microbiology of the decomposing organic matter.

This topical formulation is an elegantly simple solution to odor problems originating from tipping floors, storage bins, and plant equipment surfaces. The foaming micronutrient blend can also provide effective visible coverage of lagoons and solid waste working faces.

Instructions for Use

Spray Method: *BioStreme 111F* is diluted with water to aid distribution for topical spraying on working faces, equipment surfaces, or wherever problem odors occur. The product is suitable for application using water trucks, boom-type sprayers, water cannon, or hand-held spray equipment.

Topical Spray Application: Apply direct to problem surfaces or waste materials using a foaming applicator. Ecolo recommends the HydroFoamer™ or the AirStreme™ FoamMaster to conveniently dilute and spray the product in one easy step.

Application Rates: HydroFoamer: use tip to deliver 1 part concentrate to 25 parts water. Connect to water supply and hold trigger to release foam. Coat the odorous surface and leave it to penetrate. FoamMaster: connect water and compressed air, use 1:100 meter tip. Coat the odorous surface and leave the product to penetrate.

Ordering Information: BioStreme 111F

Code	Size	Wt.	Dimensions
50-BIO-1180-B12F	12 x 1L w/dispenser	16 kg 35 lbs	41 x 31 x 28 cm 16" x 12" x 11"
50-BIO-1180-B16	4 x 4 L 4 x 1 gal	18 kg 40 lbs	31 x 31 x 33 cm 12" x 12" x 13"
50-BIO-1180-C20	20 L 5.28 gal	22.7 kg 50 lbs	23 x 28 x 38 cm 9" x 11" x 15"
50-BIO-1180-D28	208 L 55 gal	227 kg 500 lbs	57 x 89 cm 23" x 23" x 35"

Code	Description
10-AFA-0300	Hydro Foamer Applicator
10-FOA-1000	AirStreme FoamMaster



BioStreme 111F

Ideal for Organic Waste

- Eliminates Soaked-In Odor**
- Controls Noxious Odors**
- Reduces Clean-Up Time**
- Effective & Long Lasting**
- Natural & Biodegradable**
- Safe & Non Toxic**

Application Areas

- Commercial properties
- Apartments & hotels
- Restaurants
- Grocery stores
- Recycling centres
- Transfer stations
- Compost operations
- Landfill sites
- Wastewater facilities
- Other odorous outdoor sites

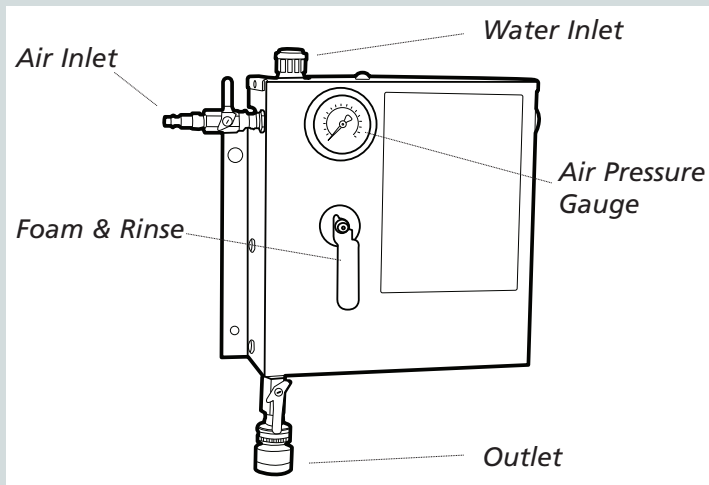
Types of Odors Treated

- Mercaptans
- Amine Compounds
- Phenol Odors
- Organic Odors
- Organic Sewage Odors
- Grease Odors
- Low Levels H2S (open areas)



* other packaging sizes available upon request. Minimum orders apply.

AirStreme Foam Station

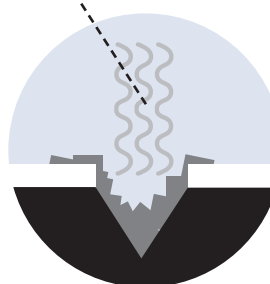


Wall or Cart Mounted – Includes

- Stainless steel cabinet
- Air pressure gauge
- Rinse bypass for rinsing without an additional hose.
- Hose-end shut off with brass foam/rinse nozzle.
- 25ft. (8m) heavy duty discharge hose

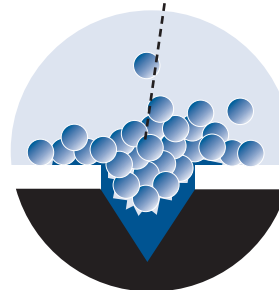
Surface Detail Before

Noxious Odors



Surface Detail After

Biological Foamer



Proprietary BioStreme formulation soaks into grease traps, floors, bins and other problem surface areas. BioStreme shifts the balance from anaerobic bacteria (odors) to facultative bacteria (non-odorous). Our micronutrient formula encourages the growth of naturally occurring beneficial odor eliminating bacteria.

Storage

Store product in the unopened container in a dry location. Storage information may be indicated on the product container labeling.

Optimal Storage: 8 °C to 21 °C. Storage below 8 °C or greater than 28 °C can adversely affect product properties. Material removed from containers may be contaminated during use. Do not return product to the original container. Ecolo cannot assume responsibility for product which has been contaminated or stored under conditions other than those previously indicated. If additional information is required, please contact your local representative or Ecolo Technical Support Department.

Material Specification

Test reports for each batch are available for the indicated properties. Test reports include selected QC test parameters considered appropriate to specifications for customer use. Additionally, comprehensive controls are in place to assure product quality and consistency.

Special customer specification requirements may be coordinated through Ecolo.

Conversions

$(^{\circ}\text{C} \times 1.8) + 32 = ^{\circ}\text{F}$
 $\text{L} / 3.785 = \text{Gal}$
 $\text{cm} / 2.54 = \text{inch}$

Note

The data contained herein are furnished for information only and are believed to be reliable. We cannot assume responsibility for the results obtained by others over whose methods we have no control. It is the user's responsibility to determine suitability for the user's purpose of any production methods mentioned herein and to adopt such precautions as may be advisable for the protection of property and of persons against any hazards that may be involved in the handling and use thereof.

Ecolo specifically disclaims all warranties expressed or implied, including warranties of merchantability or fitness for a particular purpose, arising from sale or use of Ecolo's products. Ecolo specifically disclaims any liability for consequential or incidental damages of any kind, including lost profits.

The discussion herein of various processes or compositions is not to be interpreted as representation that they are free from domination of patents owned by others or as a license under any Ecolo patents that may cover such processes or compositions. We recommend that each prospective user test the proposed application before repetitive use, using this data as a guide. This product may be covered by one or more United States or foreign patents or patent applications.

Trademark usage

Except as otherwise noted, all trademarks in this document are trademarks of Ecolo in the U.S. and elsewhere. © denotes a trademark registered in the U.S.

Ecolo Odor Control Technologies Inc.

59 Penn Drive, Toronto, ON,
 Canada, M9L 2A6
 (800) 667-6355 | (416) 740-3900
 Fax (416) 740-3800



info@ecolo.com | www.ecolo.com

Sales & Distribution Center

5829 W Sam Houston Pkwy N.,
 Suite 610, Houston, Texas 77041
 (800) 667-6355 | (713) 357-6295
 Fax: (713) 490-1487

BIO111F-03-2017