

AMC Misting Systems



EASY INSTALLATION
– TANK OR WALL MOUNT

TAMPER RESISTANT
– LOCKED ENCLOSURE

TEFC THERMAL PROTECTED
MOTOR FOR CONTINUOUS
OPERATION

SELF PRIMING PUMP HEAD

ESA CERTIFIED

Applications:



Odor Control



Environmental Cooling



Dust Suppression



Humidification



Mosquito Misting



Fly Control

Ecolo®'s AMC Automated Misting Systems are designed with advanced mist nozzles and pressurized fluid to produce finely atomized liquids. Featuring an advanced digital controller for quality and logical programmability, AMC Systems offer a wide range of event and repeat cycle timing options. All components are securely enclosed in a NEMA rated fan cooled cabinet for continuous operation. Combined with AirSolution™ odor neutralizers, AMC Misting Systems are an effective method for eliminating odors in a broad range of industrial and environmental applications.

Features & Benefits:

- Integrated controller design
- Surge protection
- Advanced programming capabilities (event timer, repeat cycle, specific days of the week)
- Operates up to 150 nozzles
- Optimal operating pressure, 150 psi
- 24 VDC low-level sensor
- Safe to use with water-based solutions



Ordering Information: AMC Misting Systems

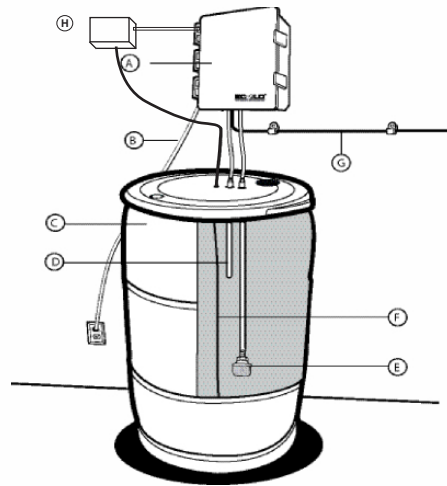
	AMC.030	AMC.100	AMC.190
Product Code	10-AMC.030-0110	10-AMC.100-0210 10-AMC.100-1210	10-AMC.190-0310 10-AMC.190-1310
Enclosure Material	Thermoplastic Polycarbonate	Thermoplastic Polycarbonate	Thermoplastic Polycarbonate
Net Dimension	49.5 x 44.5 x 29.5 cm 19.5 x 17.5 x 11.5 in	49.5 x 44.5 x 29.5 cm 19.5 x 17.5 x 11.5 in	49.5 x 44.5 x 29.5 cm 19.5 x 17.5 x 11.5 in
Shipping Dimension	58.5 x 53.5 x 35.5 cm 23 x 21 x 14 in	58.5 x 53.5 x 35.5 cm 23 x 21 x 14 in	58.5 x 53.5 x 35.5 cm 23 x 21 x 14 in
Net Weight	17.7 kg / 39 lbs	18.2 kg / 40 lbs	18.6 kg / 41 lbs
Shipping Weight	43.5 kg / 19.8 lbs	20.3 kg / 45 lbs	20.7 kg / 45.5 lbs
Electrical	110V/1Ph/60Hz	110V/1Ph/60Hz 220V/1Ph/50Hz	110V/1Ph/60Hz 220V/1Ph/50Hz
Number of Nozzles	Between 2-25 Nozzles	Between 26-80 Nozzles	Between 81-150 Nozzles



AMC Misting Systems

Standard Installation Configuration

PART:	DESCRIPTION:
A	AMC
B	Power Cord
C	55 Gallon Drum
D	Return Line
E	Strainer
F	Tank Level Sensor
G	Discharge Line
H	Junction Box



Integrated Controller Design



Note:

The data contained herein is furnished for informational purposes only. It is the user's responsibility to determine suitability for their purpose of any production methods mentioned herein and to adopt such precautions as may be advisable for the protection of property and of persons against any hazards that may be involved in the handling and use thereof. Ecolo makes no representations, expressed or implied, either in fact or by operation of law, statute or otherwise.

Ecolo specifically disclaims, except for the company standard 1-year warranty on the equipment (including parts) and 90 days warranty on the XStreme vapor heads, all warranties, whether written or oral, expressed or implied, including any warranties as to quality, merchantability or fitness for a particular purpose, arising from the sale or use of Ecolo's products. Ecolo specifically disclaims any liability for consequential or incidental damages of any kind, including lost profits.

We recommend that each prospective user test the proposed application before repetitive use, using this data as a guide. This product may be covered by one or more Canadian, American, or foreign patents or patent applications.

Conversions:

cm / 2.54 = inch kg x 2.2 = lbs

* AirStreme is a trademark owned by Ecolo Odor Control Technologies Inc.

Corporate Head Office
59 Penn Drive, Toronto, ON, Canada, M9L 2A6
Tel: (416) 740-3900 • Toll Free: 1 (800) 667-6355 • Fax: (416) 740-3800

Sales & Distribution Center
4544 South Pinemont Drive, Suite 218, Houston, TX, USA, 77041
Tel: (713) 357-6295 • 1(800) 667-6355 • Fax: (713) 490-1487

VER# DS-2107-V2

Ecolo Odor Control Technologies Inc.
info@ecolo.com | www.ecolo.com